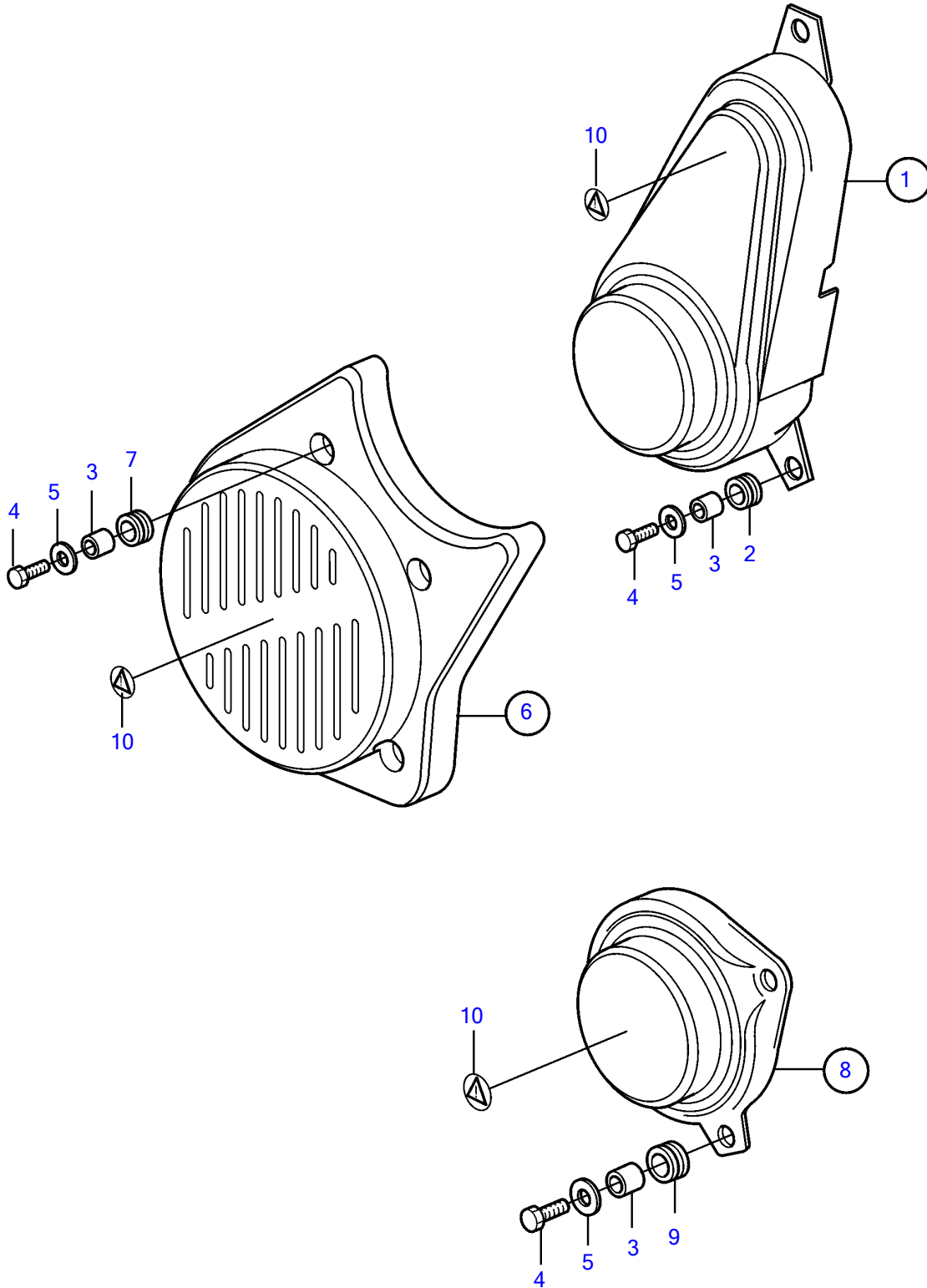


D12D-A MG, D12D-E MG



D12D-A MG, D12D-E MG

REF	PART NO.	QTY	DESCRIPTION	NOTES
1	3830159	1	Belt protector	
2	673989	3	• Grommet	
3	3830336	10	Spacer	
4	946730	10	Hexagon screw	
5	941670	10	Washer	
6	3830161	1	Protecting casing	
7	673989	4	• Grommet	
8	3837351	1	Protecting cover	No alternator.
9	673989	3	• Grommet	
10	3817024	3	Decal	